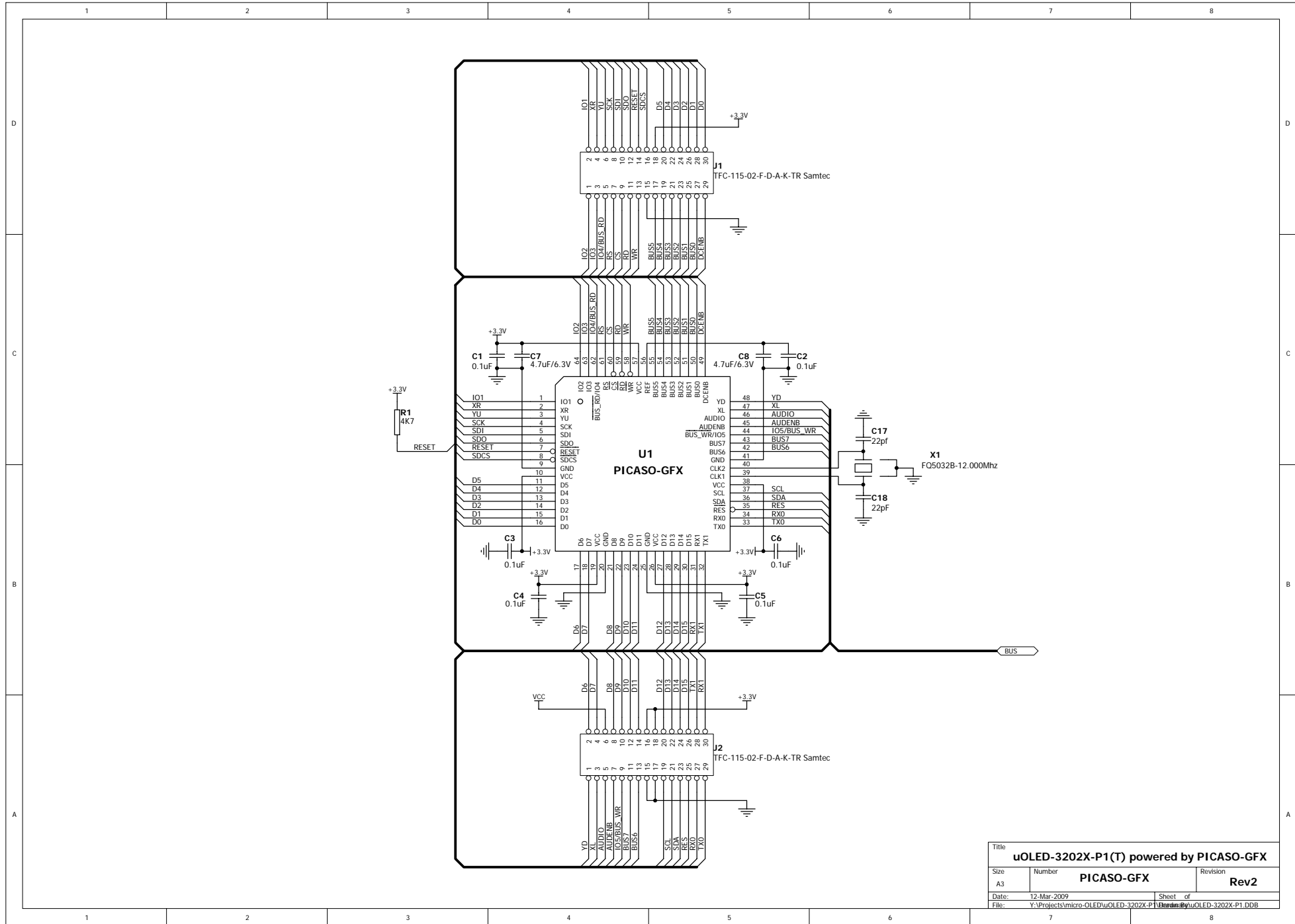
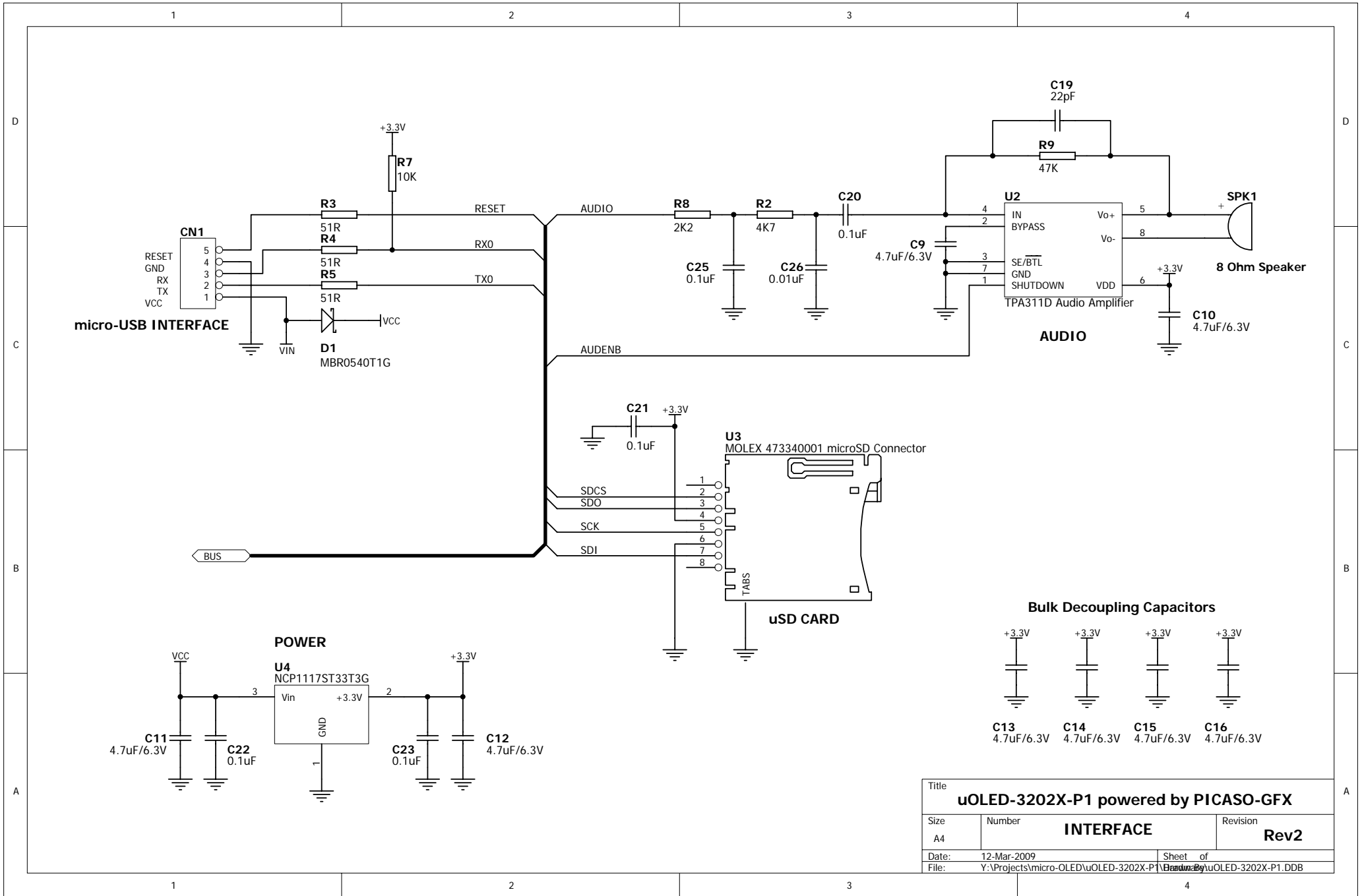


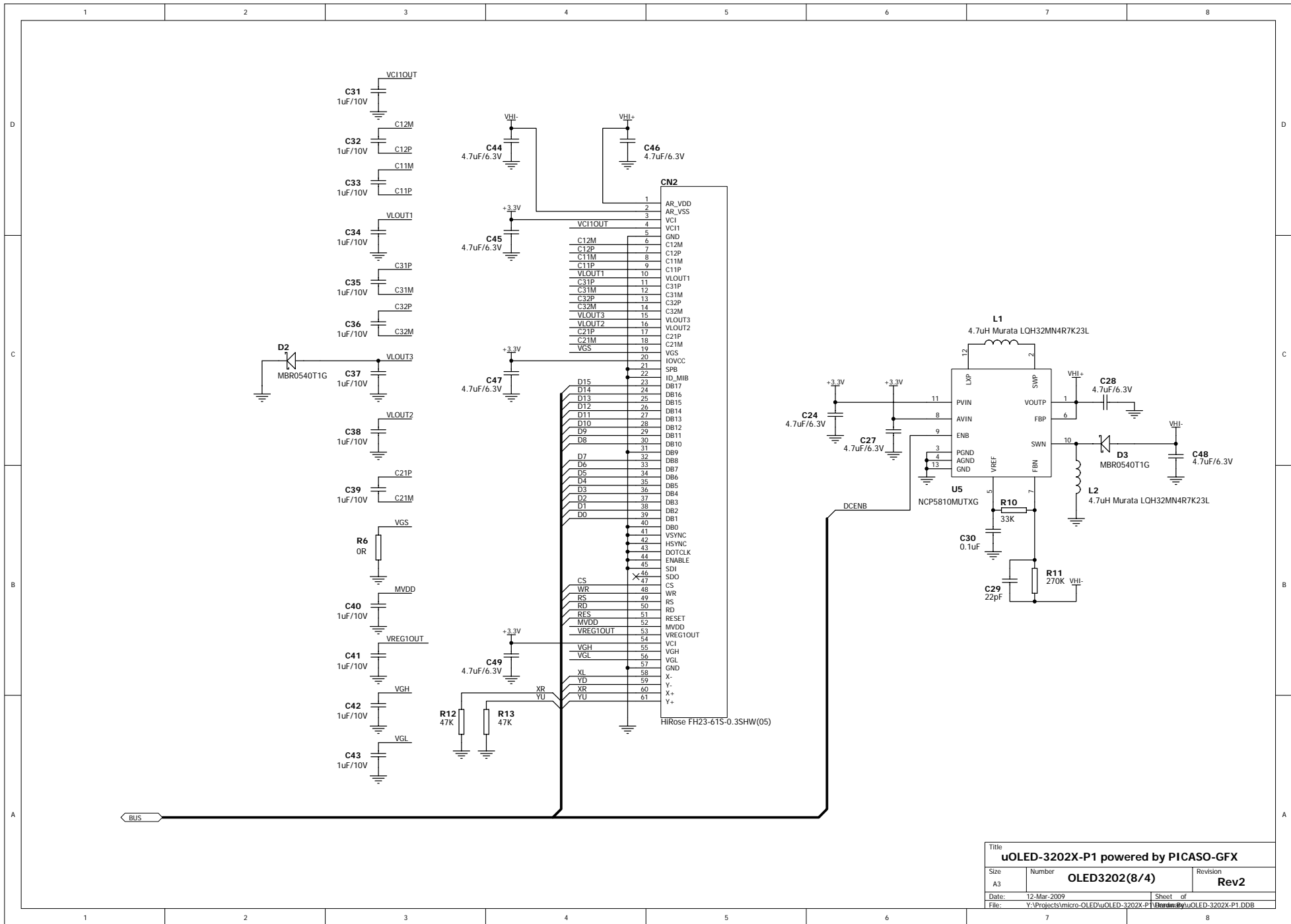
Title			<b>uOLED-3202X-P1 powered by PICASO-GFX</b>		
Size	Number	Revision			
A4	<b>03/06/2008</b>	<b>Rev2</b>			
Date:	12-Mar-2009	Sheet	of		
File:	Y:\Projects\micro-OLED\OLED-3202X-P1\Bom\by\OLED-3202X-P1.DDB				



Title			
uOLED-3202X-P1(T) powered by PICASO-GFX			
Size	Number	Revision	
A3	PICASO-GFX	Rev2	
Date:	12-Mar-2009	Sheet of	
File:	Y:\Projects\micro-OLED\uOLED-3202X-P1	Created by uOLED-3202X-P1.DDB	



Title		
<b>uOLED-3202X-P1 powered by PICASO-GFX</b>		
Size A4	Number <b>INTERFACE</b>	Revision <b>Rev2</b>
Date: 12-Mar-2009	Sheet of	
File: Y:\Projects\micro-OLED\uOLED-3202X-P1	Name: uOLED-3202X-P1.DDB	



Title		
uOLED-3202X-P1 powered by PICASO-GFX		
Size	Number	Revision
A3	OLED3202(8/4)	Rev2
Date:	12-Mar-2009	Sheet of
File:	Y:\Projects\smicro-OLED\uOLED-3202X-P1	Number of
	Y:\Projects\smicro-OLED\uOLED-3202X-P1.DDB	